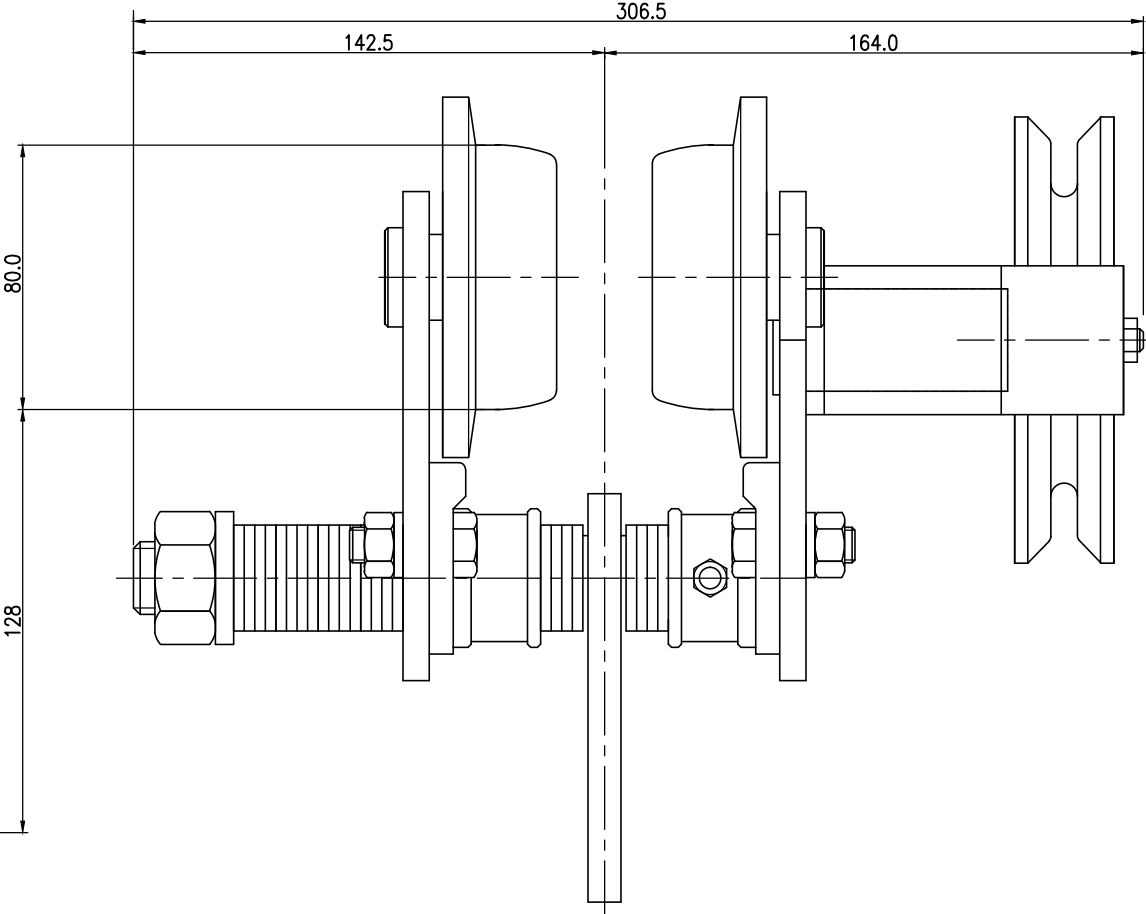
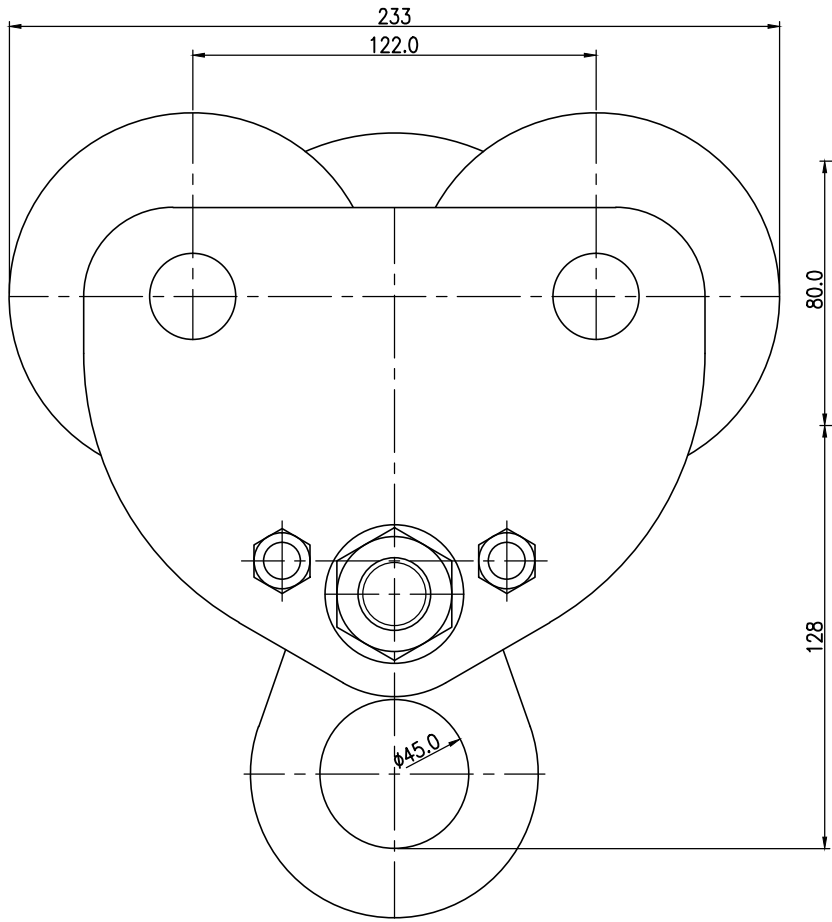


NO	DESCRIPTION	MAT'L	Q'TY	WT(kg)	REMARKS



REV.NO	DATE	REVISION DESCRIPTION	DRAWN	CHECKED	APPROVED

순번	1/5	2/6	3/7	4/8

가공별 치수	3-6	6-30	30-120	120-315	315-1000
구멍간 거리	±0.1	±0.2	±0.3	±0.5	±0.8

TITLE 1TON GEAR TROLLEY				PROJECTION	
WORK NO		WORK NAME			
DRAWN				CHECKED	REVIEWED
APPROVED				DRAWING NO	
2012.06.25		2012.06.21		2012.09.04	
DAESAN INoTEC				IND. CO., LTD.	

SCALE	Q'TY
1/1	1

YOO.M.R	-	LEE. H.J	Y. K	DSPG010001
---------	---	----------	------	------------