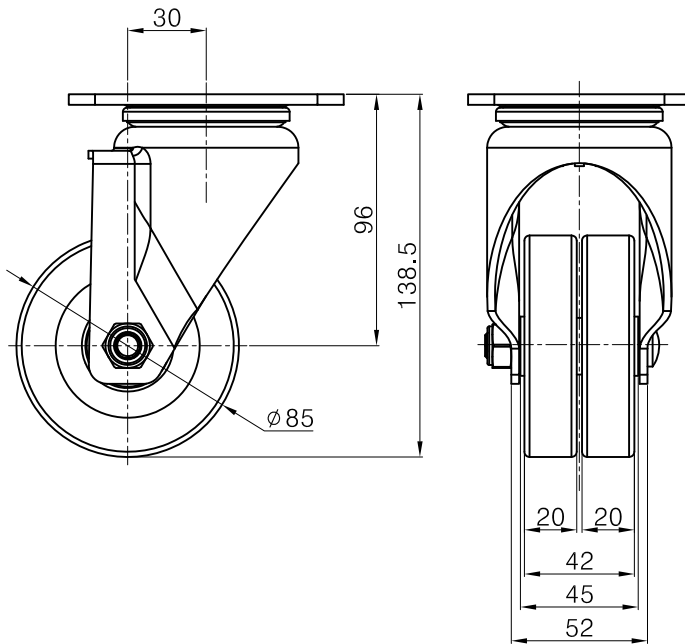
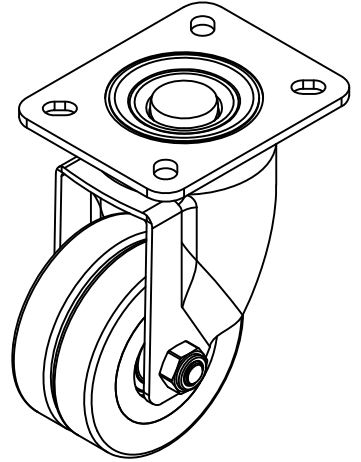
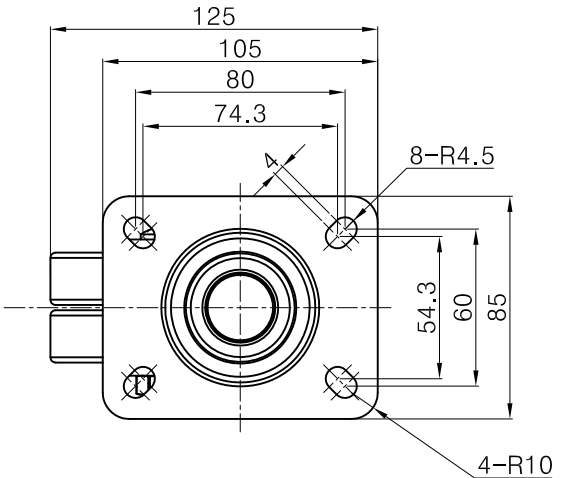


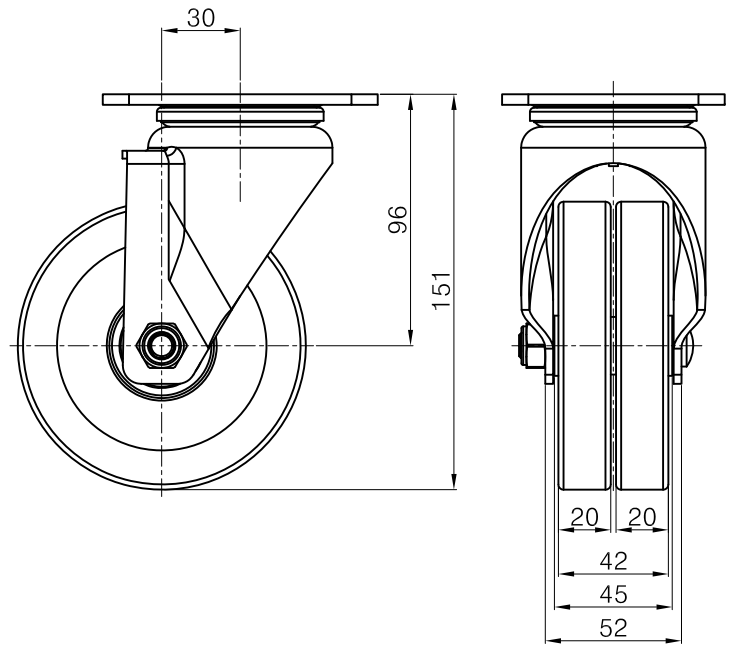
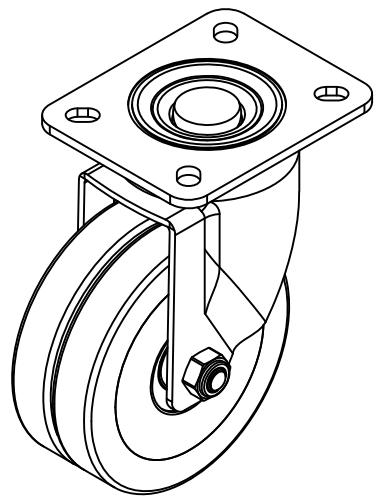
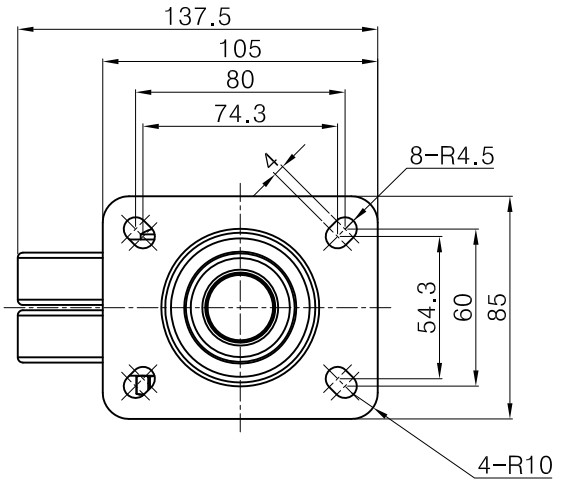
NO.	DESCRIPTIONS	MAT'L	Q'TY	WEIGHT KG.		REMARKS.
				UNIT	TOTAL	



0	2019.09.23	FIRST ISSUE		박일경	김광영	최규일
REV. NO.	DATE	MODIFICATIONS	DRAWN BY	DESIGN BY	CHECKED BY	APPROVED BY
OWNER						
<b>AUTO CFT CO., LTD.</b> CASTER FOOT TECHNOLOGY						
PROJECT CARRYMASTER						
CLASS	TITLE: AVL MUT-85SF					
SCALE	1/1 Assembly drawing					
A1 SIZE	mm (inch) DIM.	THIRD ANGLE PROJECTION		REF. DRAWING		
AUTO CFT DRAWING NO.				REV. NO.		SHEET
				0		/

치수	급수	A 급	B 급	C 급
6 이하		± 0.05	± 0.1	±
6 - 30		± 0.1	± 0.2	± 0.3
30 - 120		± 0.15	± 0.3	± 0.8
120 - 400		± 0.2	± 0.5	± 1.2
400 - 1000		± 0.3	± 0.8	± 2
1000 - 2000		± 0.5	± 1.2	± 3

NO.	DESCRIPTIONS	MAT'L	Q'TY	WEIGHT KG.		REMARKS.
				UNIT	TOTAL	



0	2019.09.03	FIRST ISSUE		박일경	김광영	최규일
REV. NO.	DATE	MODIFICATIONS	DRAWN BY	DESIGN BY	CHECKED BY	APPROVED BY
OWNER						
<b>AUTO CFT CO., LTD.</b> CASTER FOOT TECHNOLOGY						
PROJECT CARRYMASTER						
CLASS	TITLE: AVLMUT-110SF					
SCALE	1/1 Assembly drawing					
A1 SIZE	mm (inch) DIM.	THIRD ANGLE PROJECTION		REF. DRAWING		
AUTO CFT DRAWING NO.				REV. NO. 0		SHEET /

도면에 지정하지 않은 일반공차				
치수	급수	A 급	B 급	C 급
6 이하		± 0.05	± 0.1	±
6 - 30		± 0.1	± 0.2	± 0.3
30 - 120		± 0.15	± 0.3	± 0.8
120 - 400		± 0.2	± 0.5	± 1.2
400 - 1000		± 0.3	± 0.8	± 2
1000 - 2000		± 0.5	± 1.2	± 3